

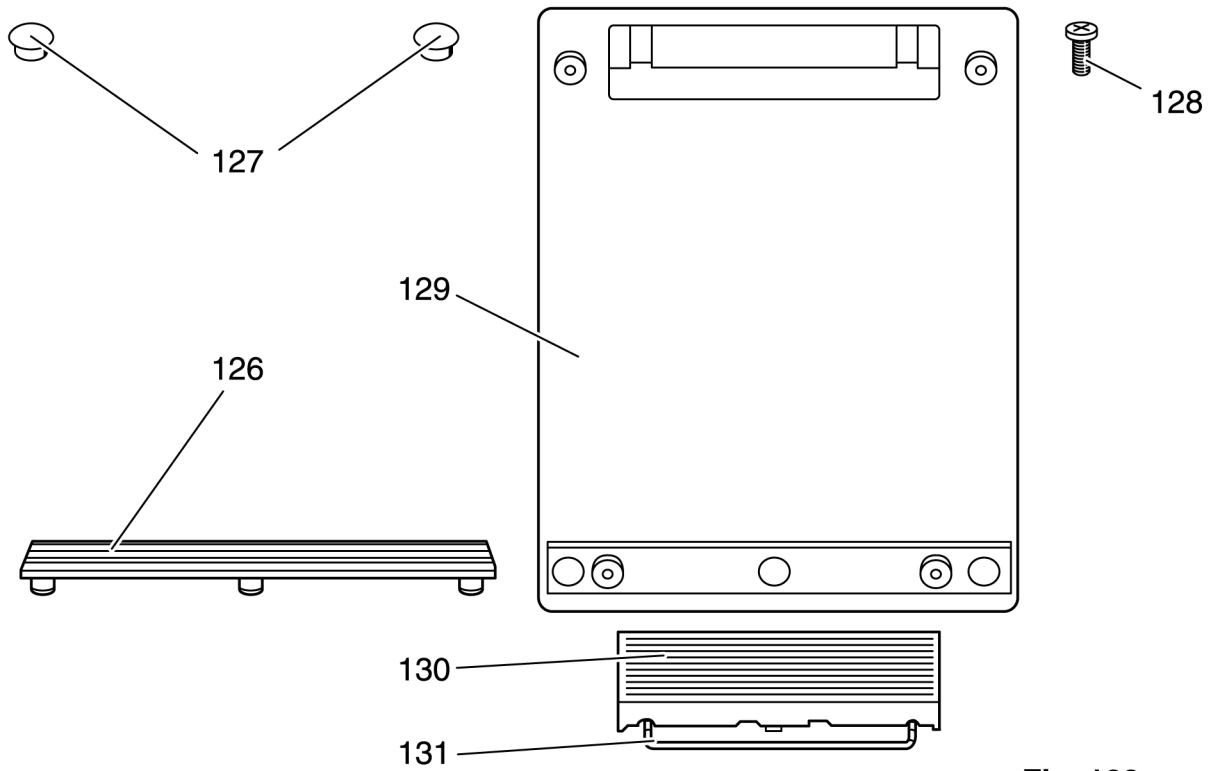
### 34. Changing the cable in the foot control

#### Removal:

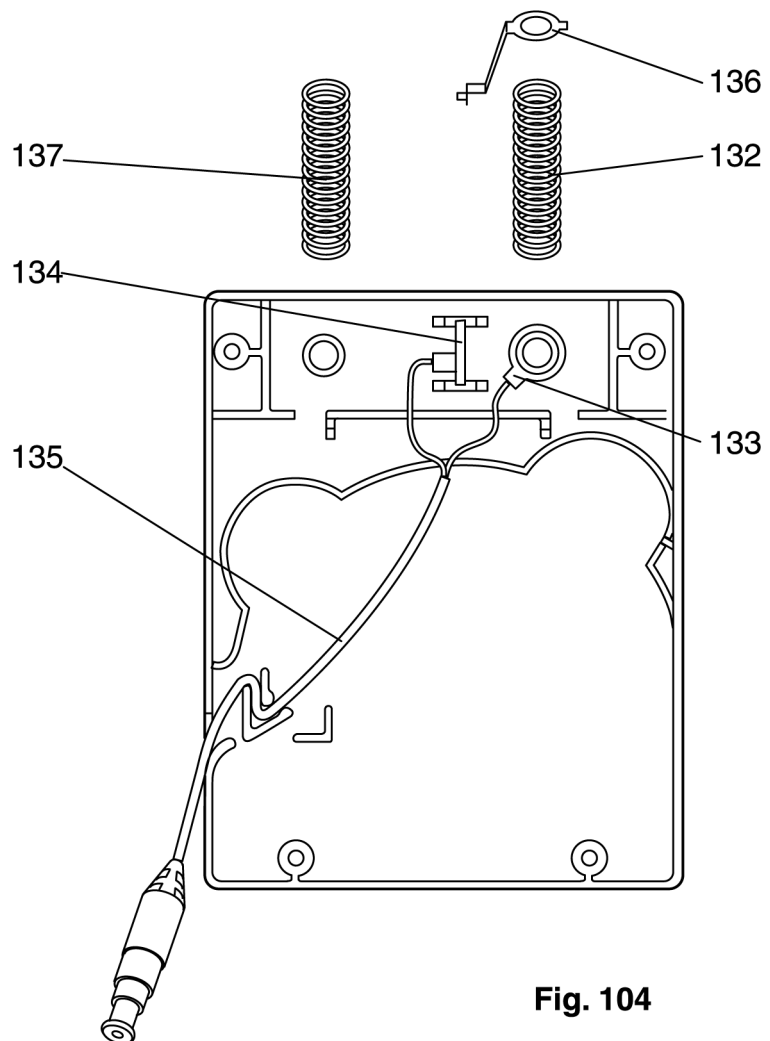
- Lift rubber strip 126 and pull it out with its three feet (fig. 103).
- Pull out the two plugs 127.
- Unscrew and remove the four Philips screws 128.
- Remove housing cover 129.
- Remove the rectangular pedal 130 with guide 131 and take out contact spring 136.
- Disconnect the right pressure spring 132.
- Disconnect the right cable 133 with the contact eyelet (fig. 104).
- Press out or pull out demented resistor track 134 (20-K $\Omega$ -potentiometer) upwards with a screwdriver or a pair of pliers.
- Remove cable 135.

#### Fitting:

- Insert cable 135 in the housing.
- Insert the soldered resistor track 134 fully downwards into the guide and secure it with some adhesive.
- Push the soldered contact eyelet 133 onto the right guide pin.
- Place both cables in the respective guide grooves.
- Place contact spring 136 on the guide pin in the larger right section of pedal 130.
- Push pressure spring 132 onto the same guide pin.
- Turn pedal 130 around and push the right spring 132 on the right guide pin of the housing and the left spring 137 on the left guide pin in pedal 130.
- First press the pedal a little to the right and then downwards in such a way that contact spring 136 is on the right-hand side of resistor track 134 and not bent.
- Press the pedal further down, as far as it will go; at the same time insert guide 131 in its two open bearings.
- Hold pedal 130 in this position; at the same time replace housing cover 129 and press it firmly on the housing (fig. 103).
- Insert and tighten the four Philips screws.
- Insert rubber strip 126 and the two plugs 127.
- Carry out an electrical safety test in accordance with VDE 0701 using testing appliance Metrawatt 5013.



**Fig. 103**



**Fig. 104**